

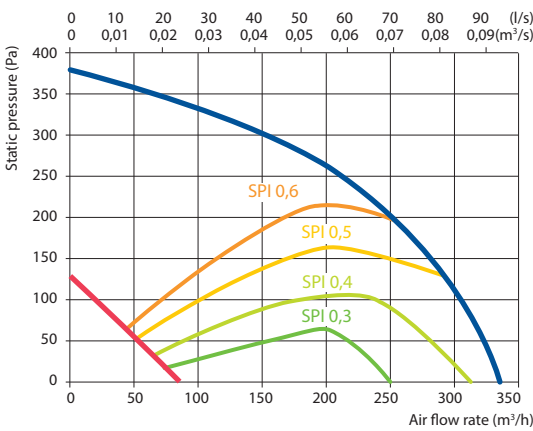
# Domekt R 300 F C8

Maximal air flow, m <sup>3</sup> /h	288
Maximal air flow, l/s	80
Reference flow rate, m <sup>3</sup> /s	0,056
Reference pressure difference, Pa	50
SPI, W/(m <sup>3</sup> /h)	0,32
Thermal efficiency of heat recovery, %	83
Electric air heater capacity, kW / Δt, °C	1/14,5
Supply voltage, V	1~230
Maximal operating current HE, A	6,2
Power supply cable, mm <sup>2</sup>	3×1,5
Electric power input of the fan drive at maximum flow rate, W	80
Electric power input of the fan drive at reference flow rate, W	32
Noise power level, L <sub>WA</sub> , dB(A)	40
Noise pressure level, L <sub>pA</sub> , dB(A), (3 m)	30
Filters dimensions B×H×L, mm	237×230×46
Unit dimensions B×H×L, mm	630×280×1090
Maintenance space, mm	300
Unit weight, kg	56



## Performance

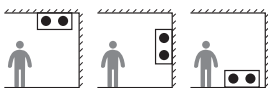
Unit with standard equipment



## Accessories

Closing damper	AGUJ-M-160+LF230/CM230
Silencer	ODA/EHA AGS-160-50-600-M
	SUP/ETA AGS-160-50-900-M
Water heater	DH-160
PPU	PPU-HW-3R-15-0,4-W2
2-way valve (heater)	VVP47.10-0,4+SSF161.05HF
Water cooler	DCW-0,4-3
2-way valve (cooler)	VVP47.10-1,6+SSF161.05HF
Outdoor grill	LD-160
Water heater-cooler	DHCW-160
DX cooler	DCF-0,4-3
Cooling unit	MOU-12HFN8a+KA8140

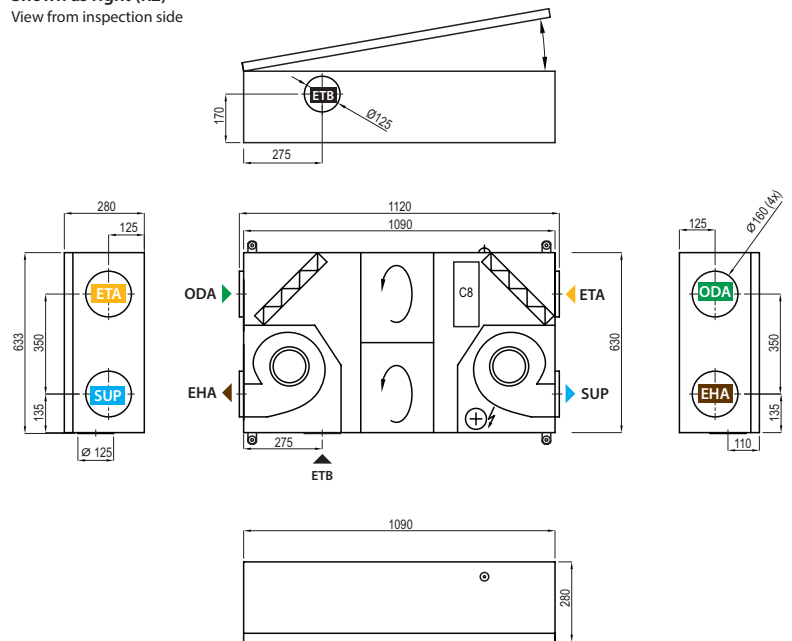
## Mounting positions



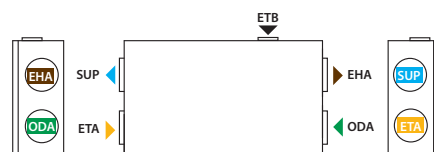
## Temperature efficiency

	Winter					Summer		
Outdoor temperature, °C	-23	-15	-10	-5	0	25	30	35
After heat exchanger, °C	14,3	15,6	16,5	17,4	18,2	22,5	23,4	24,2
indoor +22 °C, 20 % RH								

Shown as right (R2)  
View from inspection side



Shown as left (L1)



- ▶ ODA – outdoor intake
- ▶ SUP – supply air
- ▶ ETA – extract indoor
- ▶ EHA – exhaust air
- ▶ ETB – additional extraction connection (by-pass – extraction without heat recovery)